



Three Phase Voltage Relay

TVM

Specifications

Electrical

Line Voltage: 100VAC to 600VAC, 3Ø

Frequency: 50/60Hz

Line Voltage Ranges:

100 Series - 100 to 130VAC, 3Ø

200 Series - 200 to 250VAC, 3Ø

300 Series - 350 to 420VAC, 3Ø

400 Series - 410 to 490VAC, 3Ø

600 Series - 520 to 600VAC, 3Ø

Over/Under Voltage:

±10, 13, or 16% of Nominal Voltage

Phase Rotation: A - B - C

Pick-up & Drop-out Delays:

0.5 sec. fixed

Power Consumption: 1.5VA

Output Rating @ 25°C:

10 Amps @ 250VAC

1/2 HP @ 250VAC

1/3 HP @ 125VAC

10 Amps @ 30VDC

Physical

Mounting: Plug-In

Termination: 8 Pin (Octal)

(For 300, 400 and 600 series use OT-08)

Packaging: Dust Cover

Weight: 4.5 Oz. Approx.

Ambient Temperatures

Operating: 0°C to 40°C

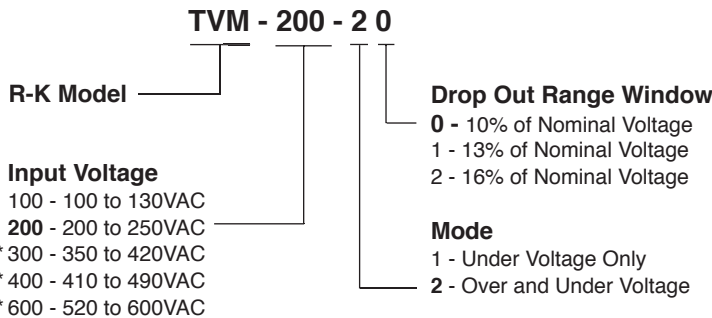
Storage: -40°C to 85°C



- Plug-In Package
- Over & Under Voltage
- Phase Loss
- Phase Rotation
- Pick-Up & Drop-Out Delays
- 10Amp Contacts
- Status LED



Ordering Information

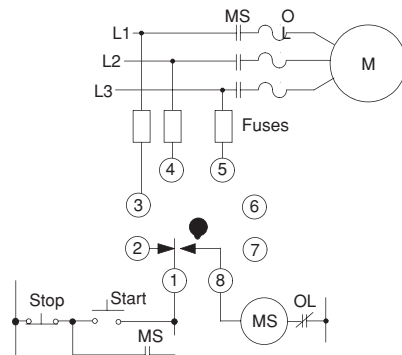


* For 300, 400 and 600 series use 600V OT-08 socket.

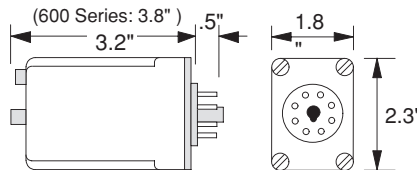
Connections

The TVM should be connected to the line voltage on the load side of the last line fuse before the motor and on the line side of the starter (MS).

- M = Motor
- MS = Motor Starter
- OL = Overloads
- Fuses = ≤1 amp (optional)



Dimensions



Operation

The TVM's output contacts energize when:

1. All phases are present;
2. The voltages are within the adjustable range;
3. The phases are in proper rotation.

If any of these conditions are not satisfied, or if the voltage shifts beyond the over/undervoltage percentage around the nominal, the output relay will drop out after the drop out time delay. The LED lights when conditions are normal and the output relay is energized.

